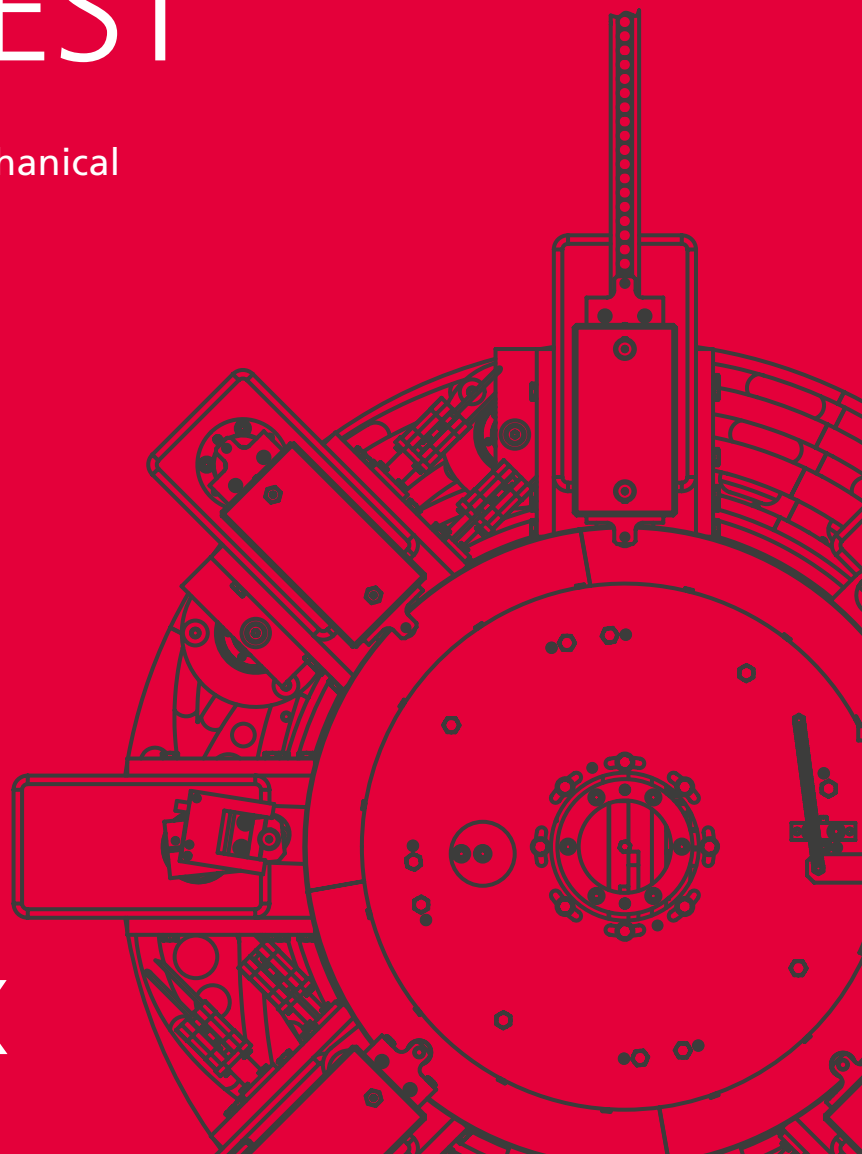


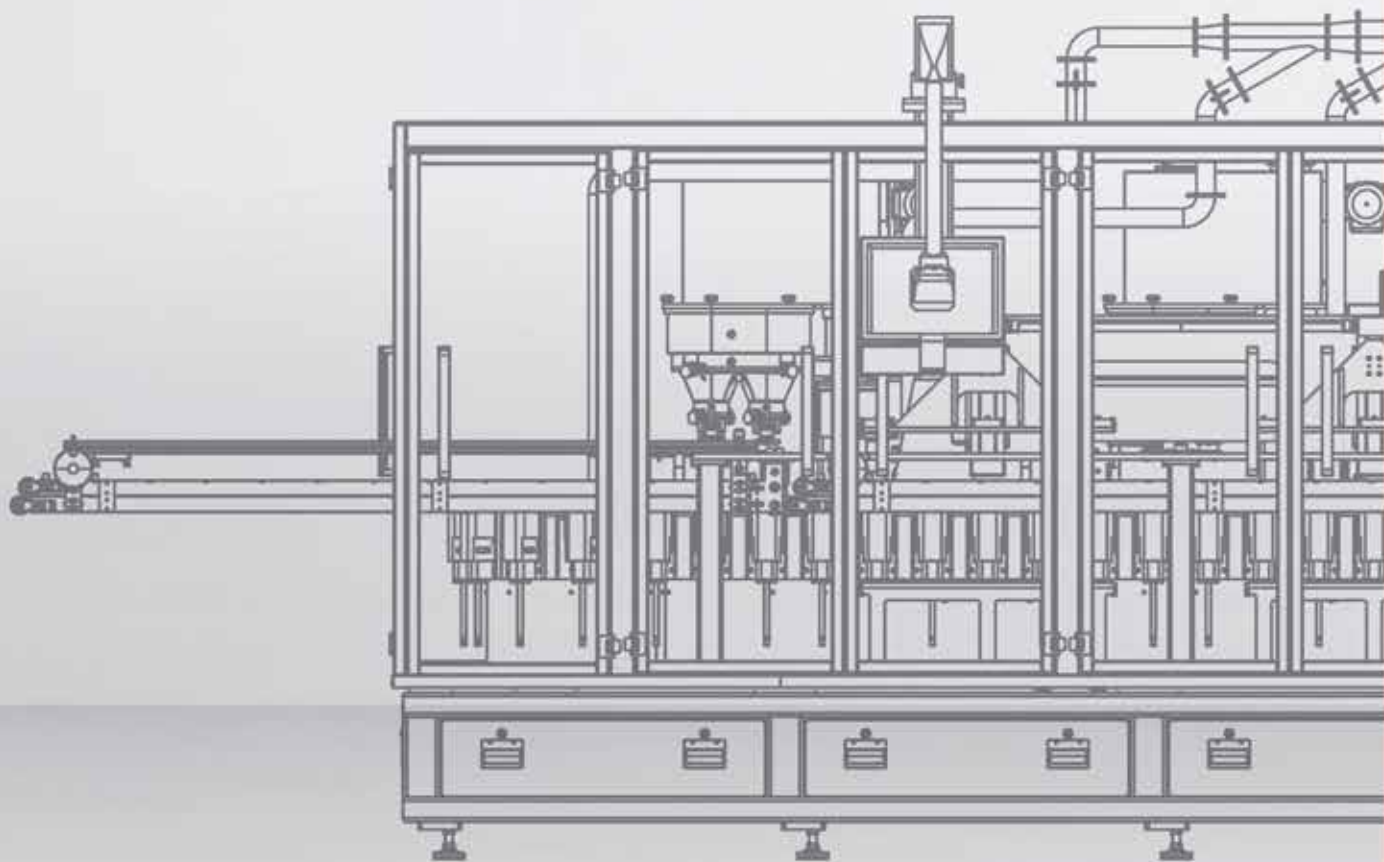
MECHANICAL ENGINEERING AT ITS BEST

Next-level solutions for mechanical
and plant engineering



SOLUTIONS AT THE HIGHEST LEVEL

Engineering and development at its best! With our many years of experience in development and CAD design for mechanical and plant engineering, IKS Neufeld offers you innovative, sophisticated, and high-performance engineering solutions tailored to your individual requirements.





4 **One-stop service**

From concept to
final acceptance

6 **Your team**

Comprehensive expertise
for future-oriented products

10 **Industries**

Convincing solutions
for every need

12 **Machine types**

A highly flexible
IKS machine portfolio

16 **Projects**

Selected highlights
from our references

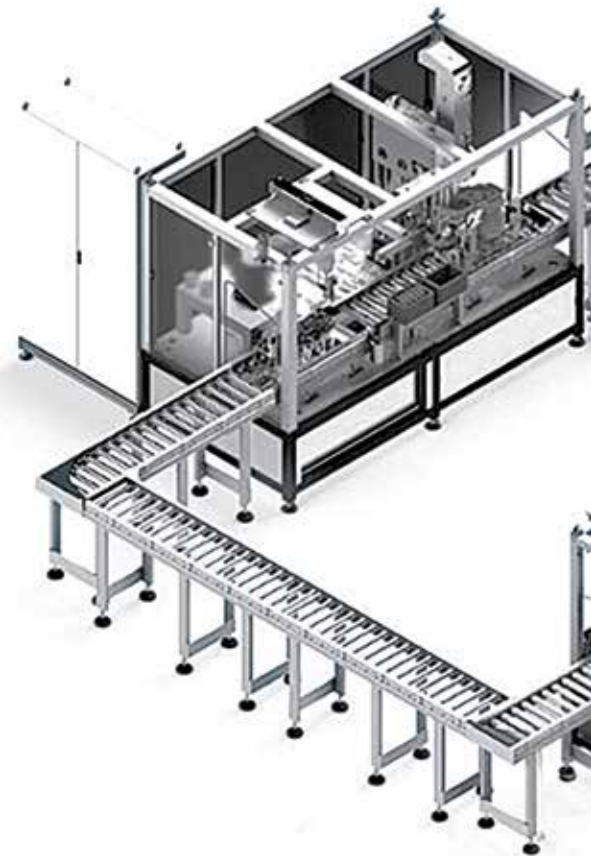
19 **Project questionnaire**

Define your requirements
for IKS Neufeld

FROM CONCEPT TO FINAL ACCEPTANCE

We support you from the initial idea through to the fully operational machine – individually tailored to your needs, reliably and with a dedicated contact person throughout the entire project.

Our services cover all project phases. We adapt flexibly to your specific requirements and deliver tailored solutions with a clear focus on efficiency and feasibility.



CONCEPT PHASE

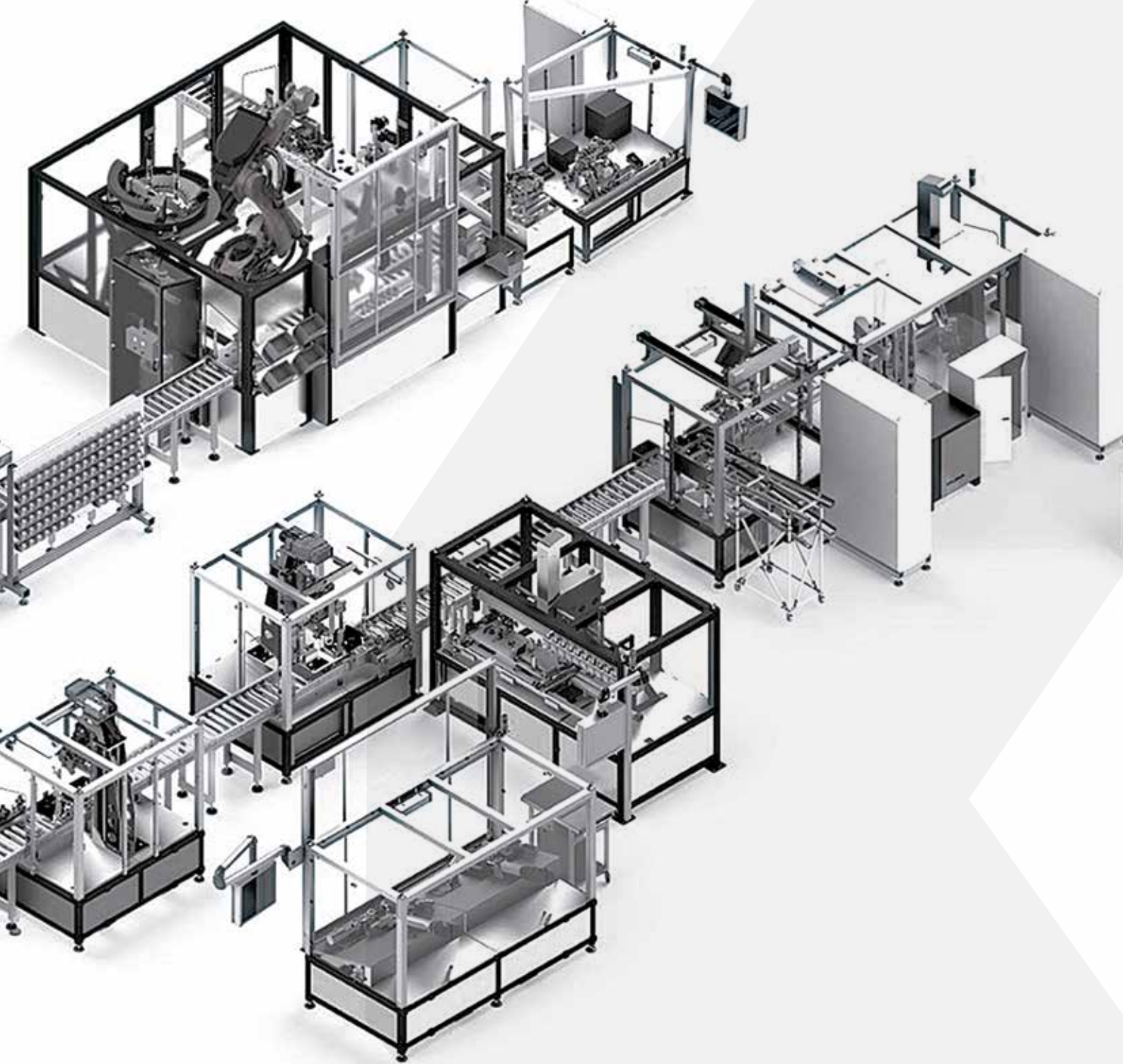
- » Brainstorming
- » Process definition
- » Initial concepts
- » Rough cost estimation

PLANNING

- » Analyses
- » Engineering planning
- » Project definition
- » New and existing systems

PREPARATION

- » Design calculations
- » Engineering calculations
- » Simulations
- » Risk assessment



IMPLEMENTATION

- » **Development**
- » **Mechanical design**
- » Detail drawings
- » Assembly support

DESIGN-REVIEW

- » Evaluation
- » Optimisation
- » FMEA
- » MTM analyses

DOCUMENTATION

- » Bills of materials
- » Validation support
- » Technical documentation
- » Visualisations
- » Operating manuals

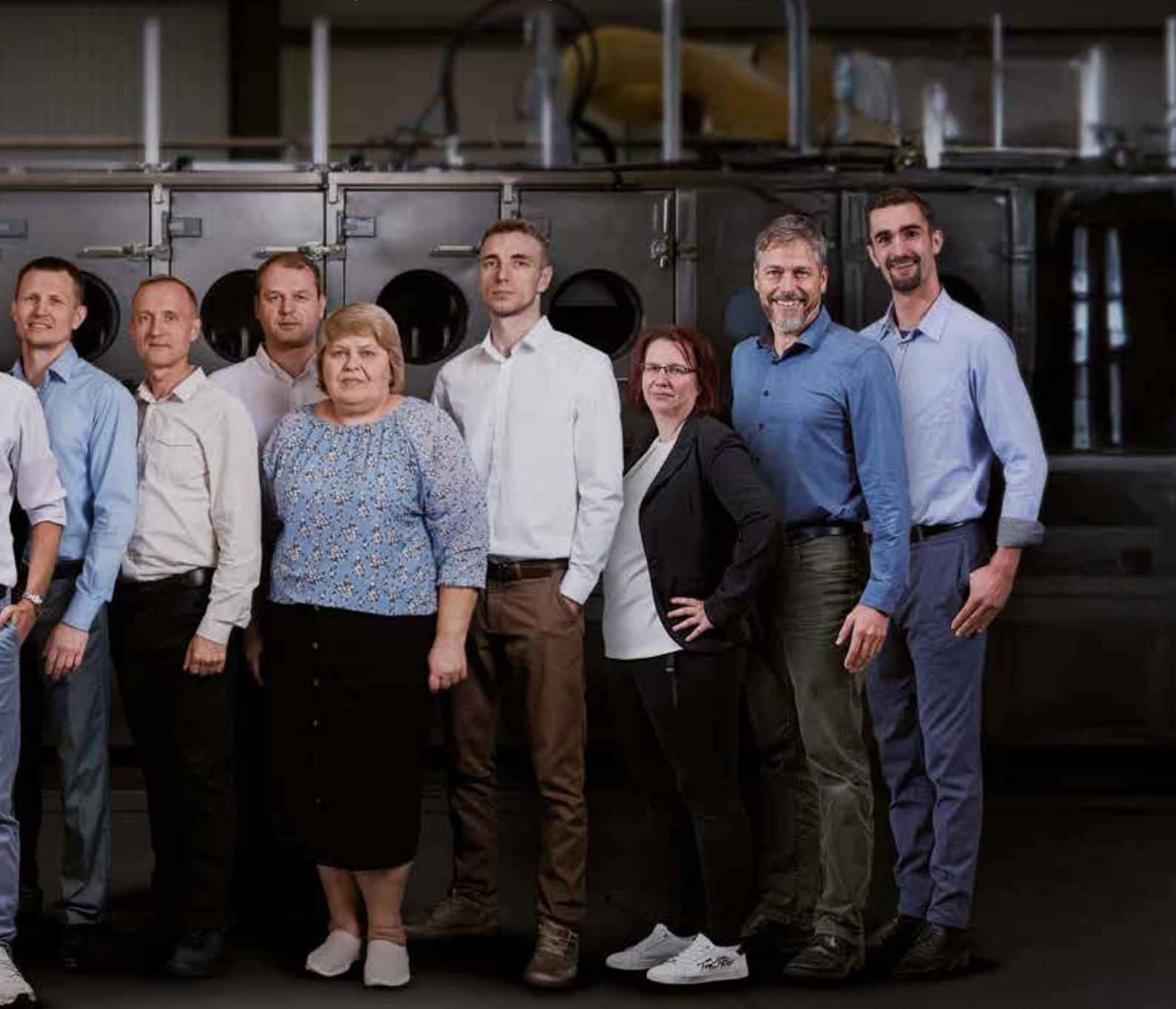
YOUR TEAM FOR FUTURE-PROOF PRODUCTS

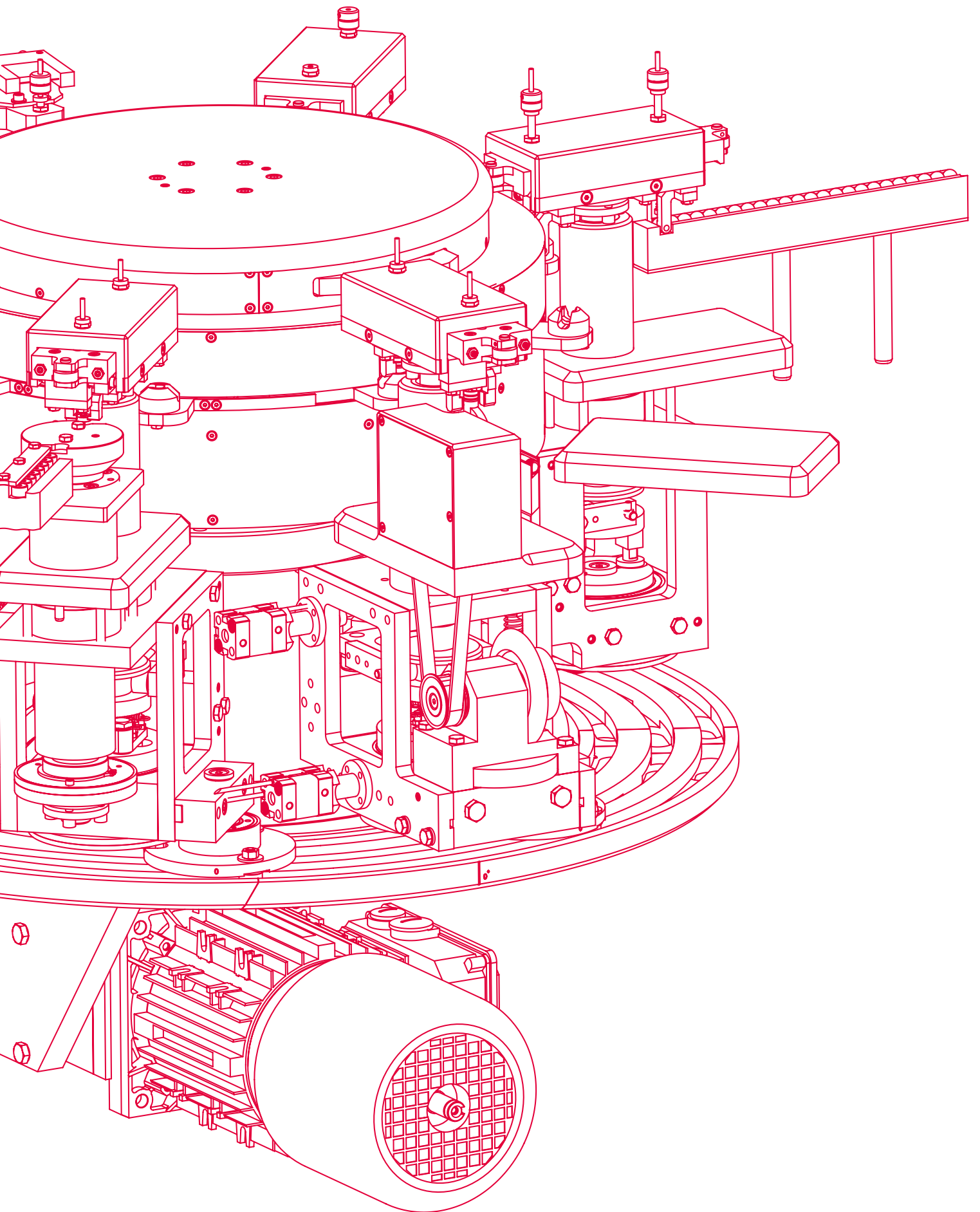
Comprehensive expertise, innovative solutions and compelling engineering:

Benefit from our broad expertise, enabling us to transfer proven concepts and best practices directly into your project. Thanks to our solution-oriented approach, we adapt flexibly to your internal and industry-specific needs, ensuring your standards are met with the highest accuracy and efficiency.



- » **Personal consultation**
- » **One dedicated contact person per project**
- » **Short lines of communication**
- » **Fast availability of expertise**
- » **Full cost transparency**
- » **Broad engineering experience**
- » **Cross-industry network**
- » **Integration of innovative solutions**
- » **Process reliability based on long-term experience**





SHAPING THE FUTURE TOGETHER – DEVELOPING TOMORROW'S SOLUTIONS WITH INNOVATION AND CLARITY

Through innovative technologies, agile engineering processes and close collaboration, we develop tailored-made solutions that combine quality, efficiency and measurable customer value.

SOLUTIONS

FOR EVERY INDUSTRY



Consumer goods



Food industry



Pharma



Automotive



E-mobility &
electronics



Semiconductors

Our expertise covers everything from concept engineering to the realisation of complex machinery, precisely tailored to the specific requirements of your industry. Whether it is high-precision manufacturing, strict hygiene standards or highly efficient production processes – we deliver solutions that are sure to impress.

Looking for a special solution?

You have a unique idea and need a strong engineering partner? From the initial idea and engineering design to the finished machine – we guide you every step of the way.

With our experience across multiple industries, we realise demanding and individual projects – solution-oriented and innovative.



SPECIFIC REQUIREMENTS?

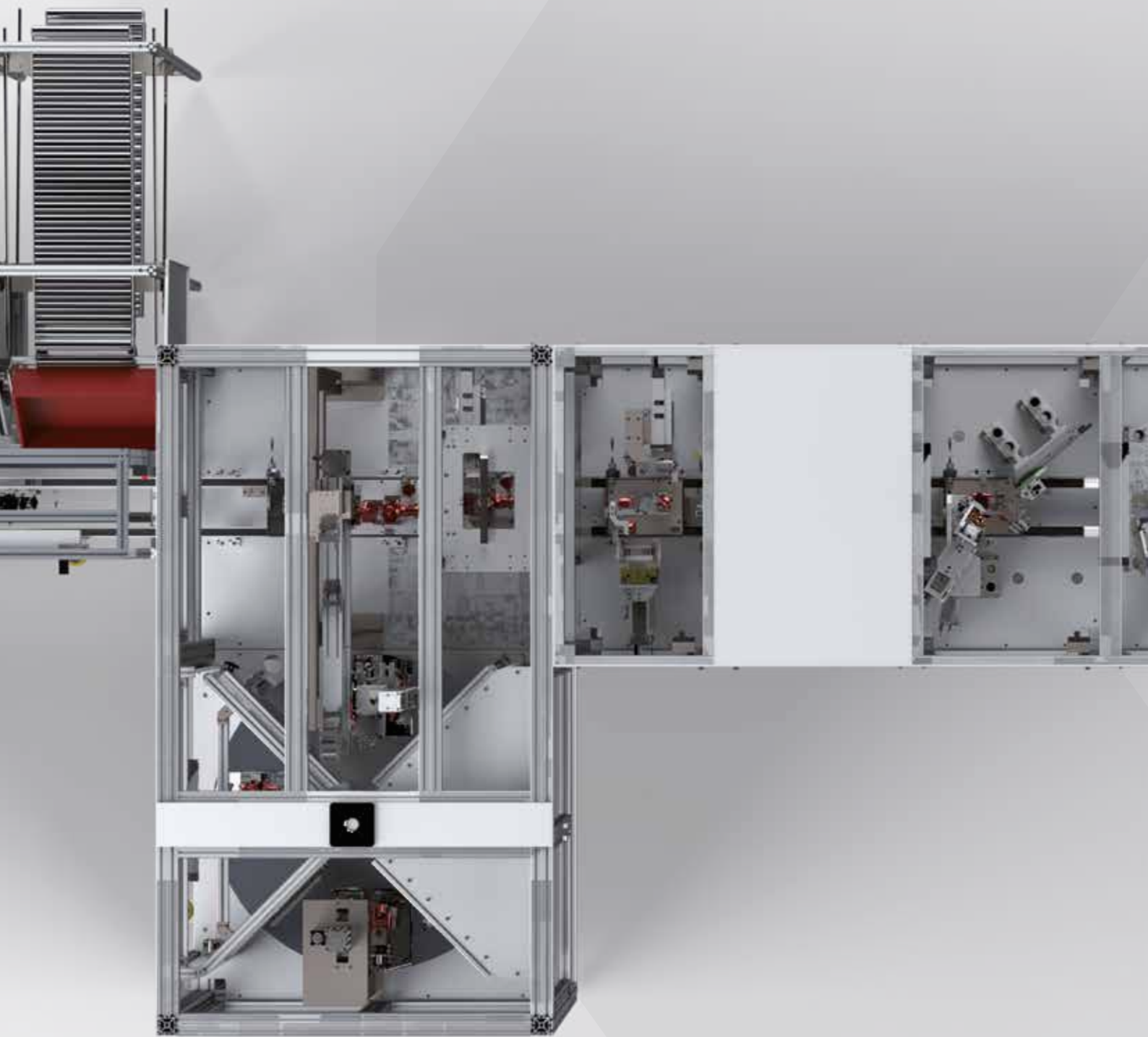
Use our project questionnaire on page 19 to define your project – we will take it from there.

IKS MACHINE PORTFOLIO – HIGHLY FLEXIBLE AND SCALABLE



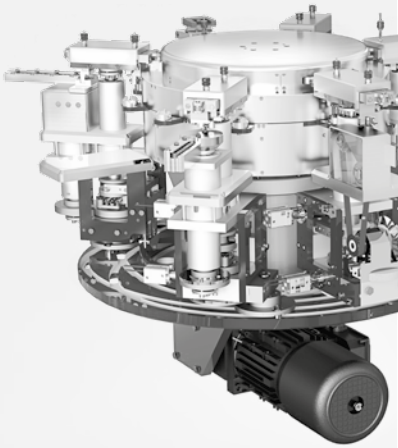
IKS Neufeld develops machines precisely tailored to your requirements. We combine proven engineering principles with innovative processes to deliver solutions that unite quality, performance and efficiency. Our systems meet the highest industry standards – whether cleanroom requirements, hygienic design or precision manufacturing processes.

With a comprehensive range of capabilities and continuous integration of new technologies, we create customised concepts that ensure reliable and efficient production.



BASE MACHINES

FOR ASSEMBLY AUTOMATION

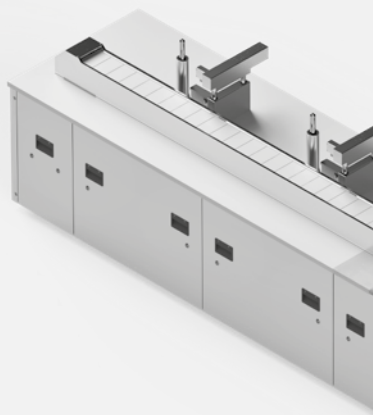


SPEEDwave®

Flexible assembly of complex geometries

- » High performance
- » Reliable
- » Up to 70 % more efficient

Up to 180 cycles/min
2 – 6 parts



LINEAR INDEXING SYSTEM

Ideal for high process variety and complex parts

- » Cam-driven
- » Modular
- » High flexibility

Up to 100 cycles/min
2 – 30 parts



CONTINUOUS MOTION

Base platform for maximum output

- » High performance
- » Reliable
- » Maximum output

Up to 1,000 parts/min
2 – 6 parts

Our focus is on efficiency, precision and long-term reliability. With years of experience and innovative technologies, we design machines that integrate seamlessly into your production environment and ensure optimal performance. Whether high cycle rates, complex manufacturing processes or large production volumes –

our solutions are flexibly tailored to your specific production requirements.

Depending on your needs, we offer versatile options using various machine types. We take factors such as the production environment, the degree of automation, and the specific requirements of your processes into account.

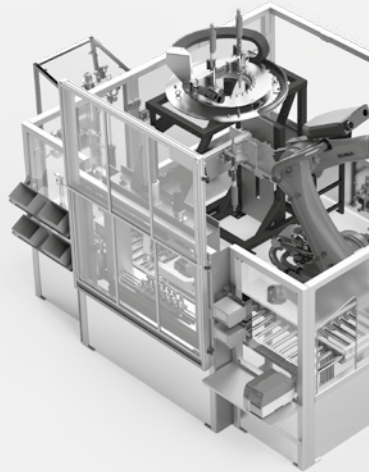


ROTARY INDEXING MACHINES

Perfect for medium production volumes

- » **Modular design**
- » **Compact design**
- » **Excellent system integration**

Up to 100 cycles/min
2 – 16 parts

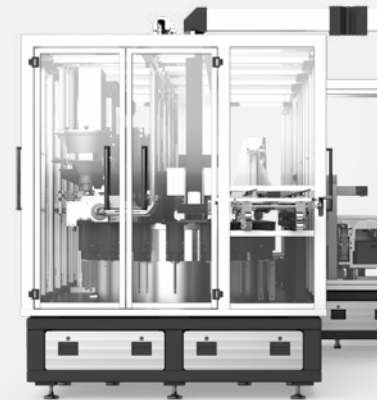


ROBOT CELLS

Flexible solutions for complex feeding and assembly tasks

- » **Versatile**
- » **Highly flexible**
- » **Modular**

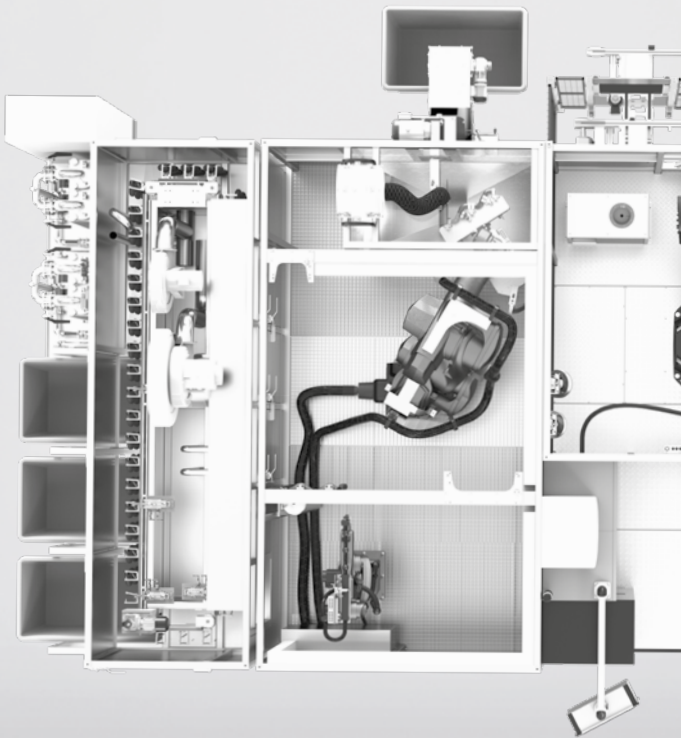
Up to 300 parts/min
2 – 6 parts



CUSTOM SOLUTIONS

We develop your idea into a finished product

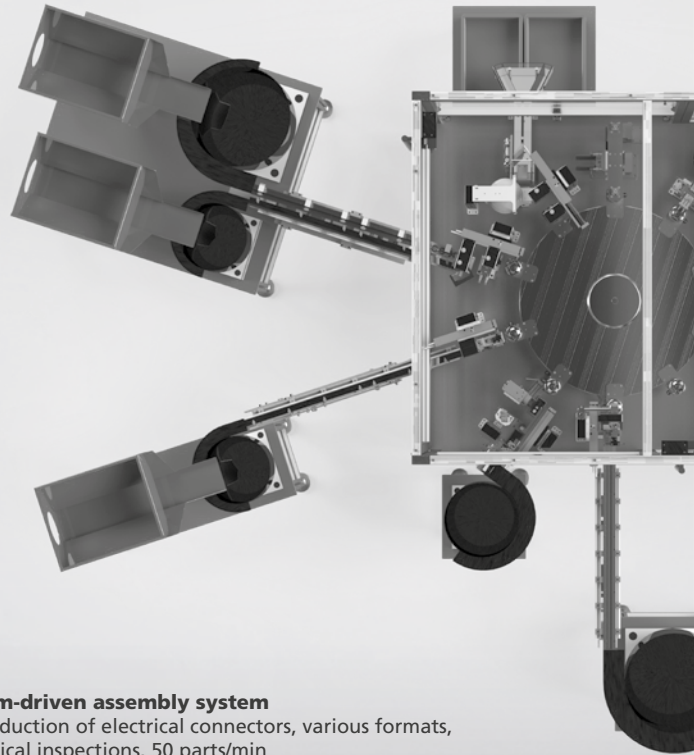
We support you from concept to full integration into your production environment.



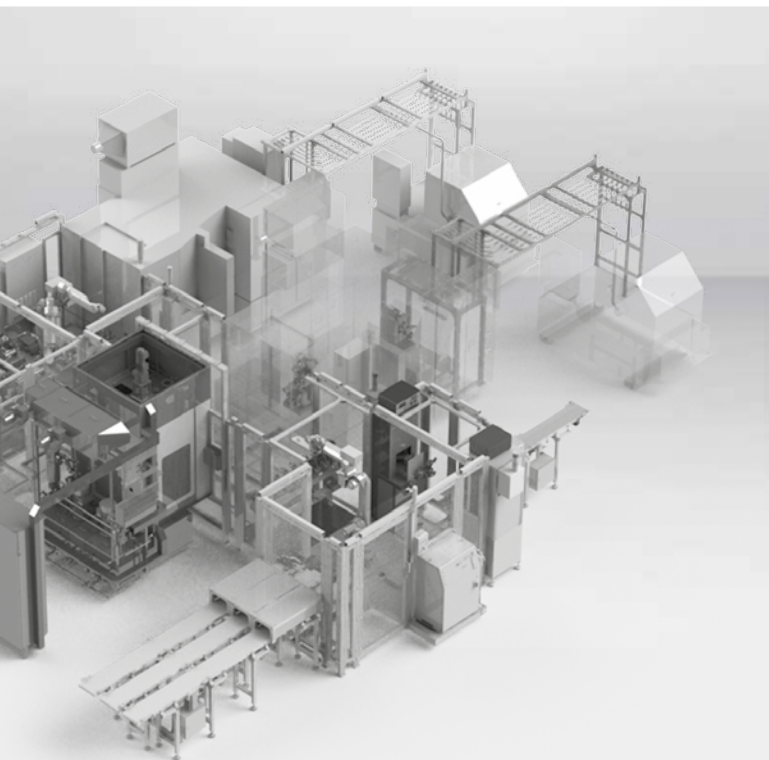
Robot cell
Production of charge air hoses, laser marking,
wet cutting, cleaning



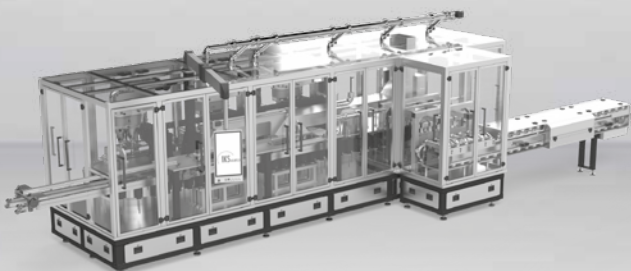
Mandrel wheel machine
Production of flour and sugar packaging,
130 packs/min



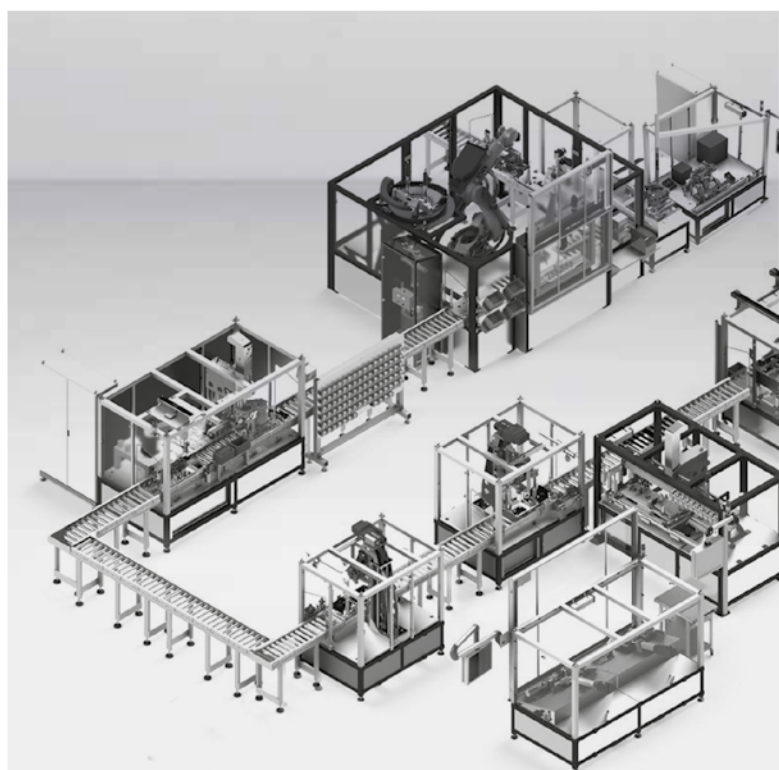
Cam-driven assembly system
Production of electrical connectors, various formats,
optical inspections, 50 parts/min



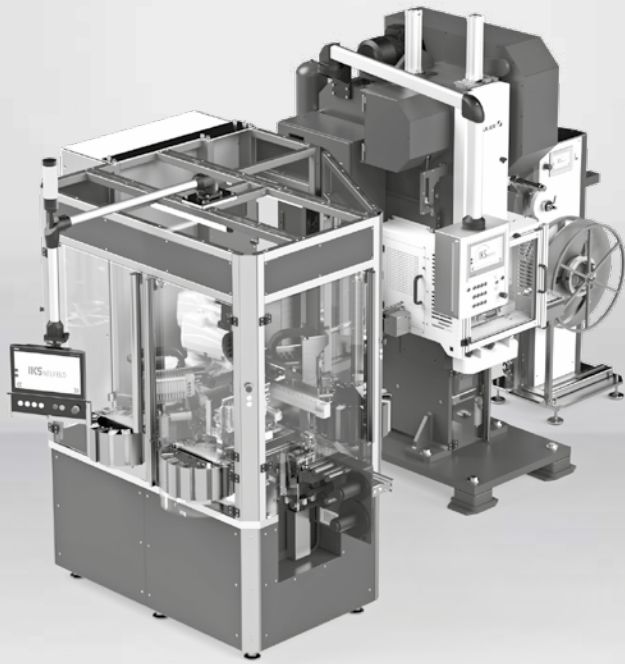
Automation
Aluminium die-cast parts, cooling line, machining, cleaning,
camera inspection, tactile inspection



Automation
Production of ammonia-based salt balls for truck catalytic
converters, foil processing, filling, extraction

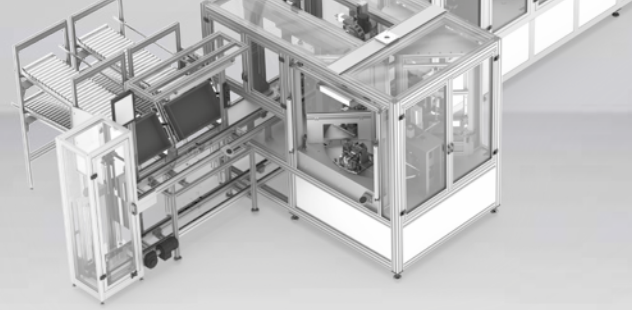


Automation
Production of electric motors for e-mobility,
stator and rotor assembly, final assembly



Automation

Punching machine with control processes, precision weighing, optical inspection, packaging with labelling



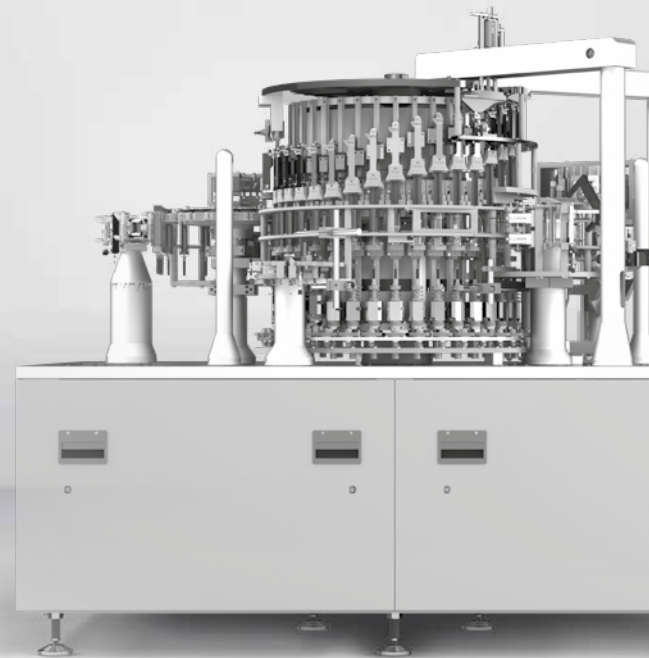
Assembly system

Production of EGR valves, laser welding, scwdriving, leak testing, electrical contacting

Over 250 successful projects

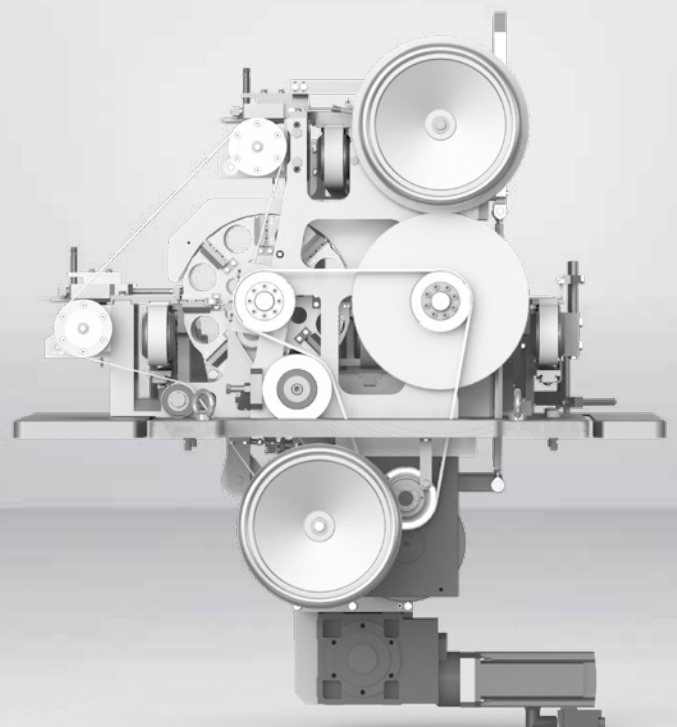
Customer success is our top priority. Close and trust-based collaboration is the foundation of our work. Continuous exchange ensures valuable insights for future projects.

Your project isn't listed? We would be happy to discuss your requirements!



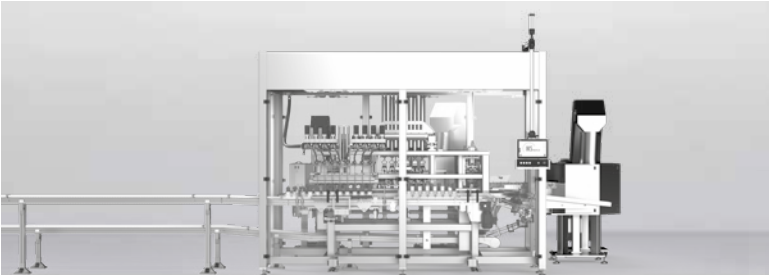
Continuous motion assembly machine

Production of syringes, pharma-compliant design, multiple formats, 200 parts/min, cam-driven



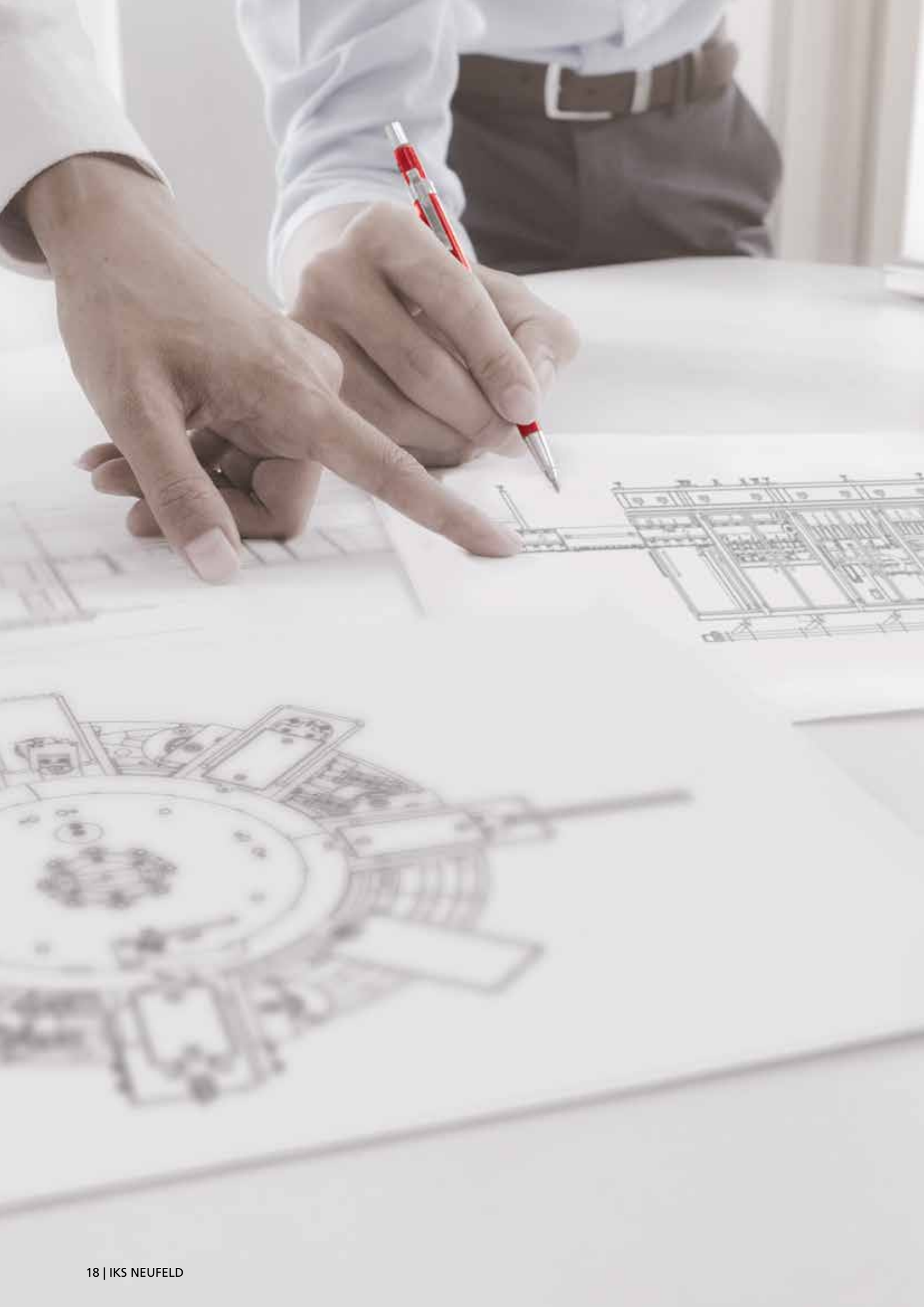
Assembly unit

Production of charge air coolers, extremely compact, cam-driven, flexible parts, 75 cycles/min



Filling & capping system

Various aggressive media, different viscosities, filling volumes from 50 to 250 ml, wide variety of containers, filling processes with tare weighing, 90 containers/min



PROJECT

QUESTIONNAIRE

High-performance automation tailored to your needs. Define your requirements – we will develop the right solution.

Product and packaging description:

Variants:

Tasks / processes:

Notes on special features / special requirements:

Annual output in 1/2/3-shift operation (current and target):

Required autonomy level / run time:

Available space at installation site (floor plan / layout):

IKS NEUFELD GMBH

Engineering & automation at its best

Hauptstraße 17

73553 Alfdorf, Germany

Phone +49 7172 20908-80

Email info@iks-neufeld.de

www.iks-neufeld.de

